

Parts/Pricing - Baron F-120 Mixer

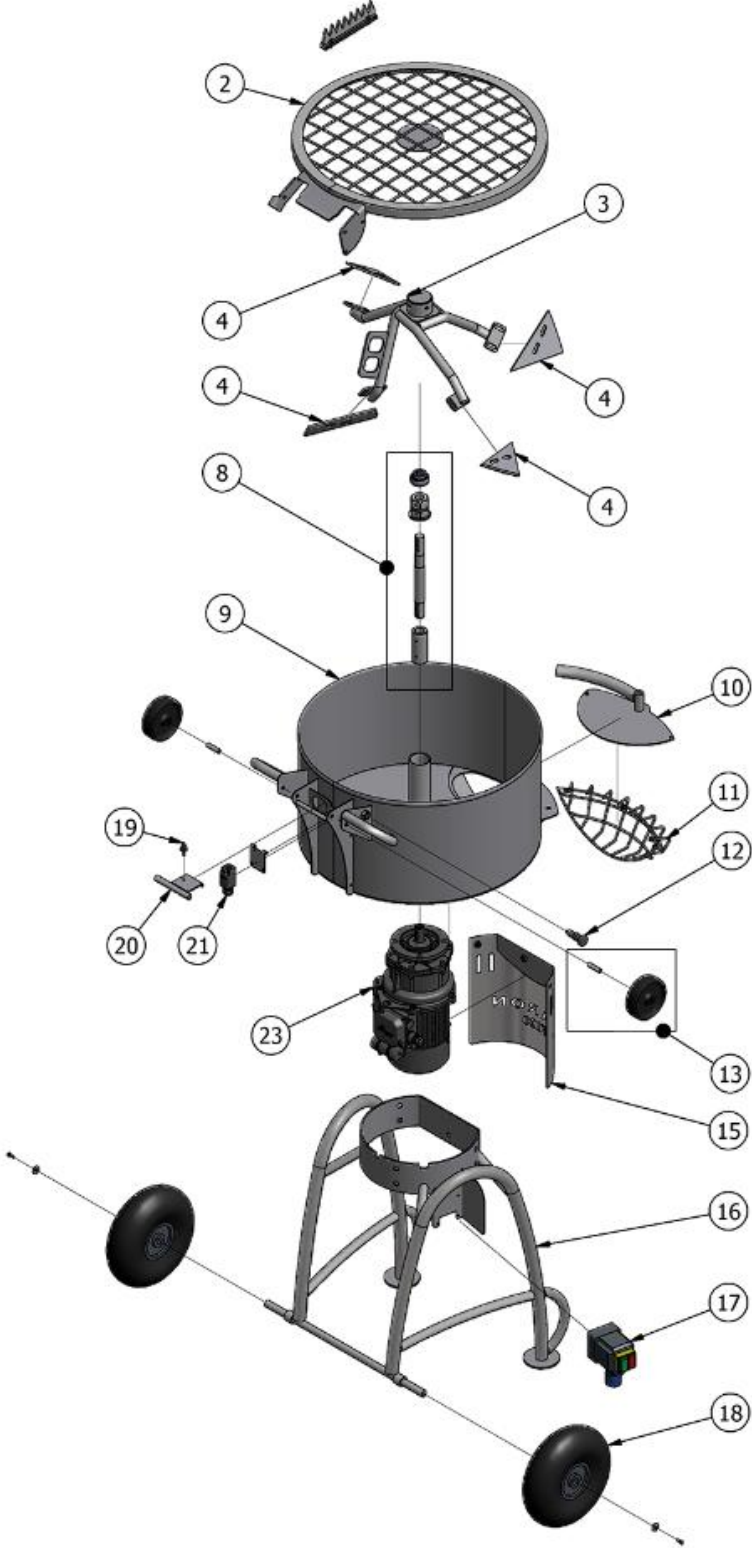


Diagram #	Part #	Name	Price*
23	50201	Motor + gear, 2.0kW 110V, Fabrika	\$ 1,105.00
17	50300	Main switch, 240V	\$ 155.00
17	50302	Main switch, 380V	\$ 410.00
21	50326	Mechanical cover switch	\$ 116.00
19	50327	Rubber damper	\$ 15.00
12	50328	Positioning bolt	\$ 46.00
18	50340	Rubber wheel for screed roller (1pc) spare part	\$ 72.00
13	50343	Transport wheel, complete (1 pc)	\$ 36.00
11	50356	F80/F110/F120 outlet protection	\$ 268.00
10	50374	E90/E120/F80/F110/F120 trapdoor, complete	\$ 158.00
3	50423	M110/F110/F120 mixer head (without blades)	\$ 378.00
4	50445	Metal blades M110/F110/F120, complete set (4 pcs)	\$ 135.00
9	50510	F120 container	\$ 770.00
16	50523	Frame	\$ 935.00
2	50548	F110/F120 cover	\$ 398.00
15	50565	F110/F120 motor cover	\$ 146.00
22	50600	Bracket for cover switch	\$ 55.00
20	50603	Plate for cover switch	\$ 55.00
1	50640	Sack knife, complete	\$ 46.00
8	50651	E90/M80/M110/F80/F110/F120 drive shaft, complete	\$ 192.00
	50463	Rubber blades, complete set (4 pcs)	\$ 388.00
	30300	Rubber protection f/on-off	\$ 5.25
	50221	Motor, 2.0kW 110V	\$ 630.00
	50230	Gear for E90/E120/M80/M110	\$ 535.00
	50233	Variable speed gear	\$ 1,185.00
	50261	Main relay, 16-20A	\$ 152.00
	50262	Main relay, 2.5-4A	\$ 158.00
	50265	Main relay, 6.3-10A	\$ 158.00
	50270	Undervoltage relay, 110V	\$ 152.00
	50272	Undervoltage relay, 380V	\$ 68.00
	50306	Main switch, 110V 16-20A	\$ 288.00
	50324	E-stop lid for main switch	\$ 38.00

Note – Pricing is for 2022, and subject to change